

Model DF234 Control Valves

Technical Sales Bulletin



Figure 1 DF234 Control Valve

The Dyna-Flo Model DF234 control valve is primarily designed for on/off control of a variety of gases or fluids. These tough valves are manufactured for use as dump valves and feature a low profile and lightweight design that fits into tight locations and makes for easier handling. The DF234 is well suited for many other high pressure gas or fluid applications up to 2,250 Psig (155 bar). The DF234 is available in 1 inch and 2 inch sizes as a globe style valve body with threaded NPT or flanged connections.

The Dyna-Flo Model DF234 control valve is manufactured to a high level of quality specifications to ensure superior performance and customer satisfaction.

Features

NACE Service Ready

Standard construction for the DF234 control valve features NACE trim. The valve bonnet and body also conform to NACE MR0175 (National Association of Corrosion Engineers) recommendations.

ASME Class 900/1500

The DF234 is designed and rated for ASME B16.34 Class 150 - 1500 service.

Live Loaded Packing

Packing for the DF234 control valve is designed to provide a quality stem seal and to prevent the loss of hazardous gases or fluids. The live loaded feature provides for reduced maintenance and positive sealing in temperature and pressure cycling conditions.

Field-Reversible Actuator

Field conversion of the DF234 actuator is designed to be quick and easy. Switch the DF234 from a spring-close to spring-open actuator without any additional parts.

Easily Maintained

The hammer union to bonnet connection allows for easy removal of the bonnet/actuator for access to trim and packing. Trim removal requires no special tools and is quick and simple. The two piece cage seat allows replacement of the seat ring while using the existing cage making port changes and maintenance more economical.

Low Temperature Materials

The DF234 valve and actuator are constructed with materials that are capable of functioning in temperatures of -40°C.

Open Yoke

The DF234 features an open yoke that allows for the mounting of a feedback arm to facilitate positioners and indicators.

Versatile Trim Material Options

Plug and seat ring materials are available in S17400 DH1150 and S31600/Tungsten Carbide.



Model DF234 Control Valves

Technical Sales Bulletin

SPECIFICATIONS

Port Diameter

1/4", 3/8", 1/2", 3/4", and 1"
Refer to Table 1 & 2 for details and Port Diameters.

Sizes and Connection Styles

Size: 1 & 2 inch
Rating: ASME 150 / 300 / 600 / 900 / 1500
FNPT: 2,250 Psi (155 bar) CWP
Connections: FNPT / RF / RTJ
Refer to Table 1, 2, & 3 for details and Port Diameters.

Standard Shut-off Classification

ANSI Class IV ASME / FCI 70-2

Dimensions

Refer to Table 5 (Page 6) & Figures 4 - 5 (Page 7)

Flow Characteristics

Quick Opening

Flow Direction

Up or down (Refer to Table 2)

Maximum Travel

3/8 inch (10 mm)

Material Temperature Capabilities

Body Assembly
-46 to 150°C (-50 to 300°F)
Actuator Assembly
-40 to 82°C (-40 to 180°F)

Body Style

Available in Globe style.

Bonnet/Body Connection

Threaded Hammer Nut.

Actuator Configuration

The DF234 utilizes a on/off style spring and diaphragm actuator. Fail action is field-reversible.

Maximum Actuator Casing Pressure

50 Psig (3.45 bar)

Effective Actuator Diaphragm Area

33 inches² (213 cm²)

Actuator Pressure Connections

NPS 1/4 inch NPT

For more information and other options contact your Dyna-Flo sales office.

Maximum Pressures and Temperatures ⁽¹⁾		
Valve Size	200°F (93°C)	300°F (150°C)
NPS 1 inch FNPT	2,250 Psig (155 bar)	2,185 Psig (150 bar)
NPS 1-2 inch Flanged Class 600	1,500 Psig (103 bar)	1,454 Psig (100 bar)
NPS 1-2 inch Flanged Class 900	2,250 Psig (155 bar)	2,185 Psig (157 bar)
NPS 2 inch Flanged Class 900/1500	3,750 Psig (259 bar)	3,640 Psig (251 bar)

1 - The limitations shown are as per ASME B16.34. Refer to the pressure temperature ratings in this standard for all other flange ratings. Do not exceed these ratings.

Port Diameter inch (mm)	Connection Style							
	Threaded lb (kg)	Raised Face (RF) Flanged lb (kg)				Ring Type Joint (RTJ) Flanged lb (kg)		
1 Inch Valve 1/4 (6.4) 3/8 (9.5) 1/2 (12.7) 3/4 (19.7) 1 (25.4)	FNPT	Class 150	Class 300	Class 600	Class 900	Class 600	Class 900	
	25 (11)	29 (13)	35 (16)	35 (16)	64 (29)	35 (16)	64 (29)	
	2 Inch Valve 1/4 (6.4) 3/8 (9.5) 1/2 (12.7) 3/4 (19.1) 1 (25.4)	FNPT	Class 150	Class 300	Class 600	Class 900/1500	Class 600	Class 900/1500
		30 (14)	34 (15)	50 (23)	50 (23)	89 (40)	50 (23)	89 (40)

Model DF234 Control Valves

Technical Sales Bulletin



Table 2

Maximum Shut-off Pressure Drops

Actuator Action	Flow Direction (pressure tends to)	Port Diameter	Number of Springs 0-20 Psig Operating Signal		Number of Springs 0-35 Psig Operating Signal	
			3	6	3	6
			Psi (bar)	Psi (bar)	Psi (bar)	Psi (bar)
Fail Closed	Flow Up (open valve)	1/4"	2,250 (155)	2,250 (155)	2,250 (155)	2,250 (155)
		3/8"	1,672 (116)	2,250 (155)	1,672 (115)	2,250 (155)
		1/2"	770 (53.1)	1,867 (129)	770 (53.1)	1,867 (129)
		3/4"	Contact Dyna-Flo	684 (47.2)	Contact Dyna-Flo	684 (47.2)
		1"	Contact Dyna-Flo	290 (20.0)	Contact Dyna-Flo	290 (20.0)
	Flow Down (close valve)	1/4"	1,469 (101)	2,250 (155)	1,469 (101)	2,250 (155)
		3/8"	2,139 (147)	2,250 (155)	2,139 (148)	2,250 (155)
		1/2"	2,250 (155)	2,250 (155)	2,250 (155)	2,250 (155)
		3/4"	1,710 (118)	942 (65.0)	2,250 (155)	2,250 (155)
		1"	784 (54.1)	392 (27.0)	1,512 (104)	1,064 (73.4)
Fail Open	Flow Up (open valve)	1/4"	2,250 (155)	Contact Dyna-Flo	2,250 (155)	2,250 (155)
		3/8"	2,250 (155)	Contact Dyna-Flo	2,250 (155)	2,250 (155)
		1/2"	1,193 (82.3)	Contact Dyna-Flo	2,250 (155)	2,035 (140)
		3/4"	385 (26.5)	Contact Dyna-Flo	1,507 (104)	759 (52.3)
		1"	177 (12.2)	Contact Dyna-Flo	807 (55.6)	345 (23.8)
	Flow Down (close valve)	1/4"	2,244 (155)	Contact Dyna-Flo	2,250 (155)	2,250 (155)
		3/8"	2,250 (155)	Contact Dyna-Flo	2,250 (155)	2,250 (155)
		1/2"	2,250 (155)	Contact Dyna-Flo	2,250 (155)	2,250 (155)
		3/4"	897 (61.9)	Contact Dyna-Flo	897 (61.9)	1,646 (113)
		1"	672 (46.3)	Contact Dyna-Flo	672 (46.3)	1,288 (88.8)

Table 3

DF234 C_v Values

Body	Port Size Inch (mm)	C _v Value (100% Travel)
Flow Up	1/4 (6.4)	1.68
	3/8 (9.5)	3.82
	1/2 (12.7)	5.70
	3/4 (19.1)	11.6
	1 (25.4)	15.5
Flow Down	1/4 (6.4)	1.68
	3/8 (9.5)	3.82
	1/2 (12.7)	6.19
	3/4 (19.1)	13.0
	1 (25.4)	18.0



Model DF234 Control Valves

Technical Sales Bulletin

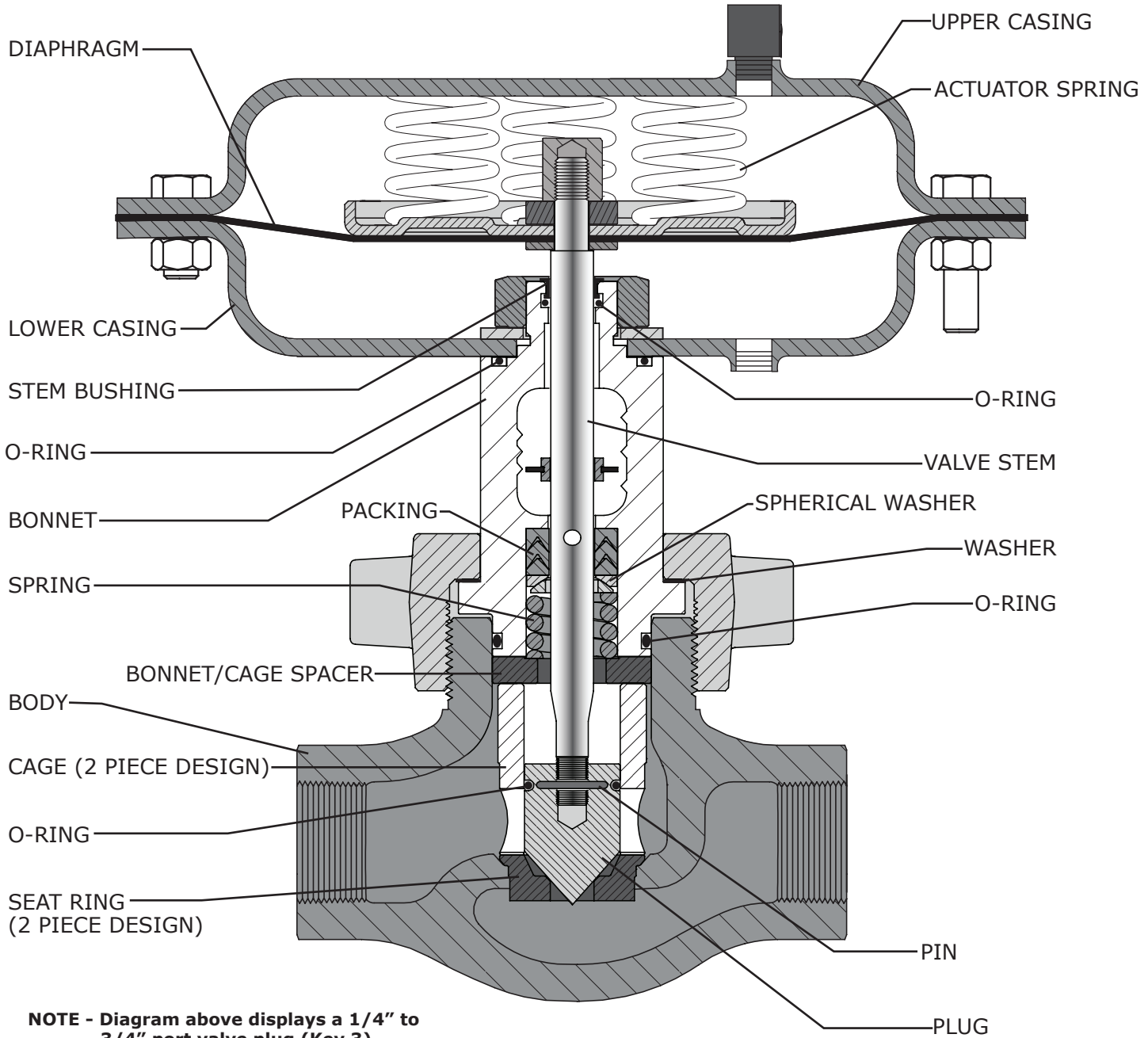
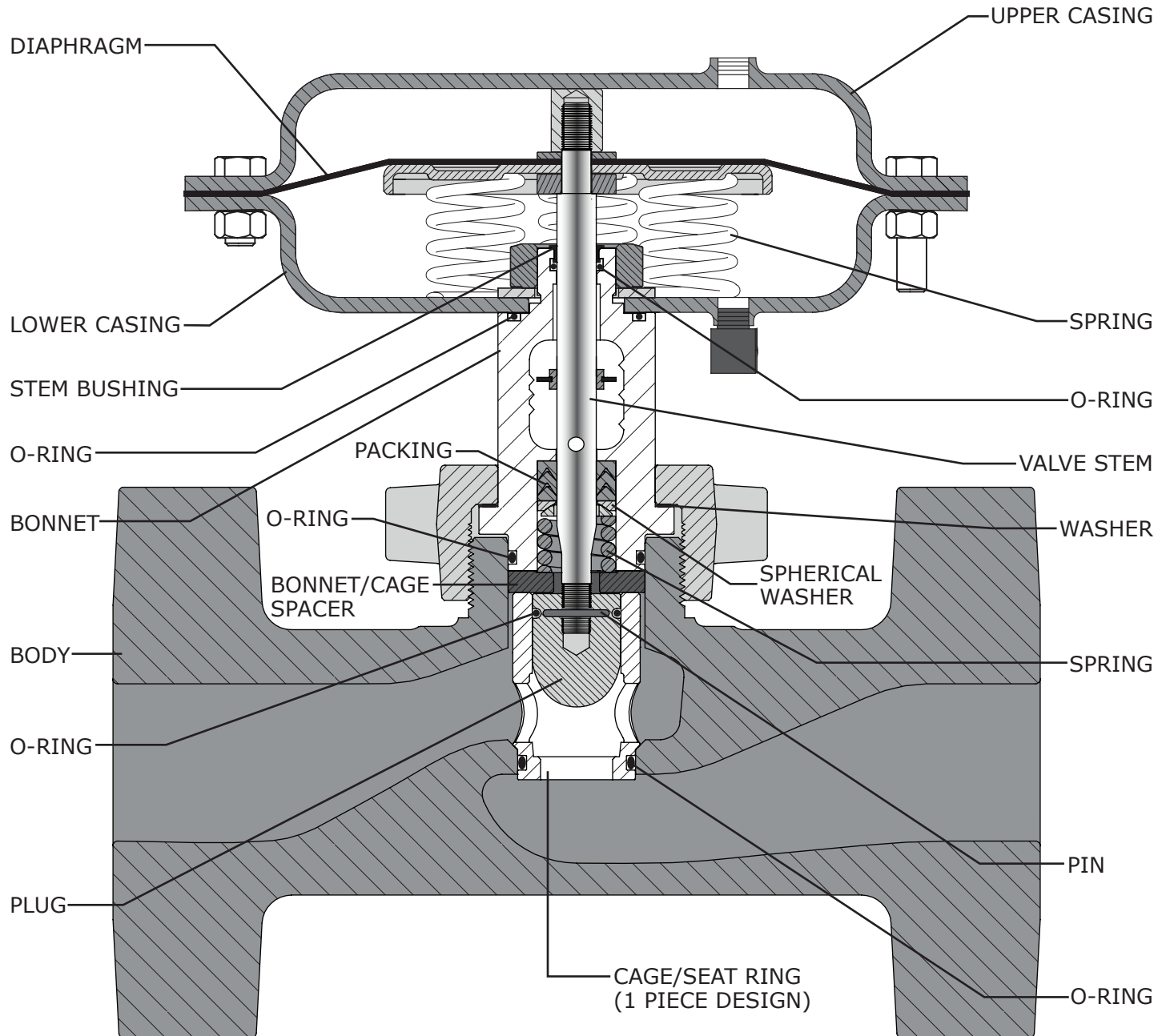


Figure 2 Cross-section of DF234 1 inch NPT Valve Body Fail Closed Configuration (Discontinued 2 Piece Cage/Seat Ring Design)

Model DF234 Control Valves

Technical Sales Bulletin



NOTE - Diagram above displays a 1" port valve plug (Key 3)

Figure 3 Cross-section of DF234 2 inch Flanged Valve Body Fail Open Configuration (Standard 1 Piece Cage/Seat Ring Design)



Model DF234 Control Valves

Technical Sales Bulletin

Table 4

Standard Construction Materials	
Part Description	Standard Construction
Valve Body	LCC
Bonnet	LCC
Valve Plug	S17400 DH1150 (NACE), S31600 ⁽¹⁾ /Tungsten Carbide (optional)
Cage/Seat Ring (Standard 1 Piece Design)	S17400 DH1150 (NACE)
Cage (Discontinued 2 Piece Design)	S17400 DH1150 (NACE)
Seat Ring (Discontinued 2 Piece Design)	S17400 DH1150 (NACE), S31600 ⁽¹⁾ /Tungsten Carbide (optional)
Valve Stem	S31600 ⁽¹⁾
O-Ring	HNBR, Viton (Optional)
Packing	PTFE/CPTFE
Spring	Inconel X750
Valve Stem Bushing	Nylon
Actuator Diaphragm	Nitrile/Nylon
Actuator Spring	Steel/Zinc
Upper and Lower Diaphragm Casing	Steel/Zinc
Washer	S30200
Pin	S31600 ⁽¹⁾
Bonnet/Cage Spacer	S17400 DH1150 (NACE)
Spherical Washer	S31600 ⁽¹⁾

NOTES: 1 - All S31600 barstock is dual grade S31600/S31603 (316/316L)

Table 5

DF234 RF and RTJ Valve Dimensions Inches (mm)			
Valve Size	Connection Style	A	B
1"	FNPT	6.25 (159)	3.13 (80)
	ASME 150 RF	7.25 (184)	3.63 (92)
	ASME 300 RF	7.75 (197)	3.88 (99)
	ASME 600 RF	8.25 (210)	4.13 (105)
	ASME 900 RF	9.38 (238)	4.69 (119)
	ASME 600 RTJ	8.25 (210)	4.13 (105)
	ASME 900 RTJ	9.38 (238)	4.69 (119)
2"	FNPT	7.50 (191)	3.75 (95)
	ASME 150 RF	10.00 (254)	5.00 (127)
	ASME 300 RF	10.50 (267)	5.25 (134)
	ASME 600 RF	11.25 (286)	5.63 (143)
	ASME 900/1500 RF	13.38 (340)	6.69 (170)
	ASME 600 RTJ	11.38 (289)	5.69 (145)
	ASME 900/1500 RTJ	13.50 (343)	6.75 (172)

NOTE: Refer to Figures 4 & 5

Model DF234 Control Valves

Technical Sales Bulletin



Figure 4 DF234 1 inch Control Valve Dimensions inch (mm)

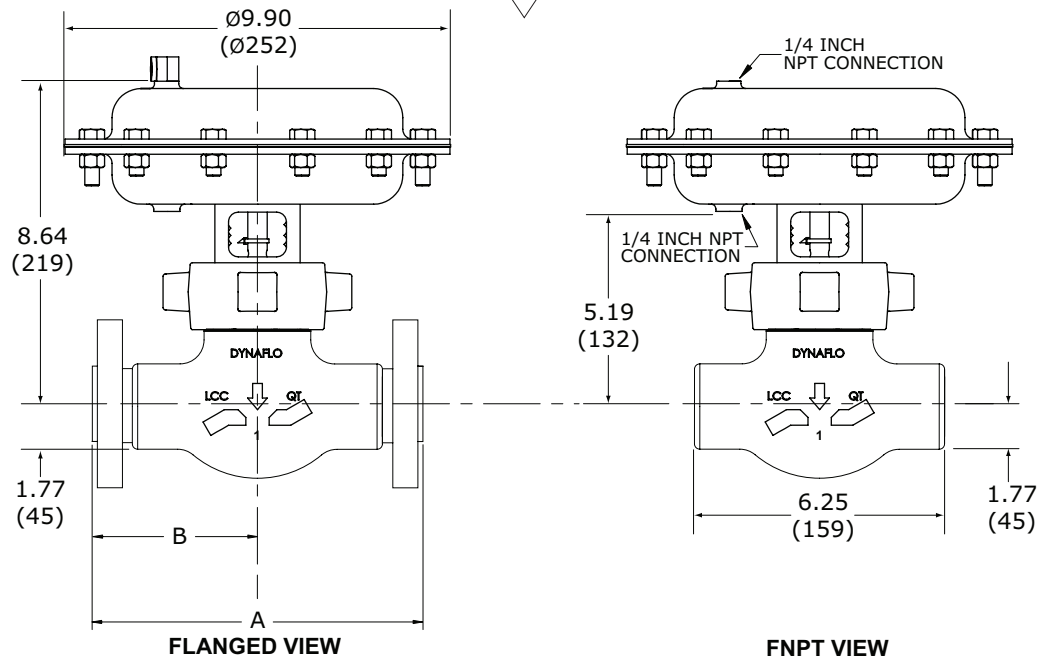
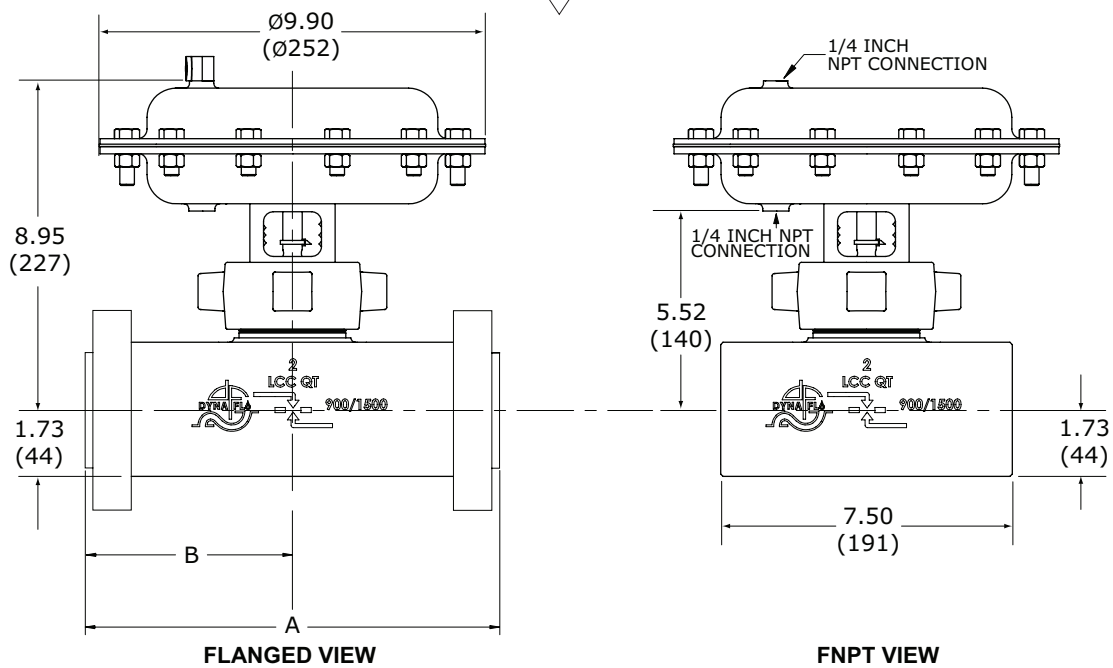


Figure 5 DF234 2 inch Control Valve Dimensions inch (mm)





Model DF234 Control Valves

MODEL NUMBERING SYSTEM

SAMPLE PART NUMBER: DF234-1GC3-6BN-14S

				VALVE SIZE		1	
1	1 INCH	2	2 INCH				
				BODY STYLE		G	
G	GLOBE STYLE						
				ACTUATOR STYLE		C	
C	FAIL CLOSED	O	FAIL OPEN				
				SPRING RANGE		3	
3	SIZE 33 ACTUATOR WITH 0-22 PSIG OPERATING SIGNAL		6	SIZE 33 ACTUATOR WITH 0-35 PSIG OPERATING SIGNAL			
				NUMBER OF SPRINGS		6	
3	3 SPRINGS		6	6 SPRINGS			
				ASME RATING		B	
A	150	B	300	C	600		
D	1 INCH 900 OR 2 INCH 900/1500		F	1 INCH 900 NPT OR 2 INCH 900/1500 NPT			
				CONNECTION STYLE		N	
N	FNPT	F	RF	J	RTJ		
				O-RING		-	
-	HNBR (STANDARD)		2	VITON			
				TRIM SIZE		14	
14	1/4 INCH	38	3/8 INCH	12	1/2 INCH	34	3/4 INCH
10	1 INCH						
				TRIM MATERIAL		S	
S	S17400 DH 1150		T	TUNGSTEN CARBIDE			

DF234 - - - - -

Our Commitment to Quality

Dyna-Flo is committed to continuous improvement. While all efforts have been made to ensure the accuracy of the content in this document, modifications or improvements to the information, specifications, and designs may occur at any time without notice. This document was published for informational purposes only, and does not express or imply suitability, a warranty, or guarantee regarding the products or services described herein or their use or applicability.

Neither Dyna-Flo Control Valve Services Ltd., nor any of their affiliated entities assumes responsibility for the selection, use and maintenance of any product. Responsibility for selection, use and maintenance of any product remains with the purchaser and end-user.