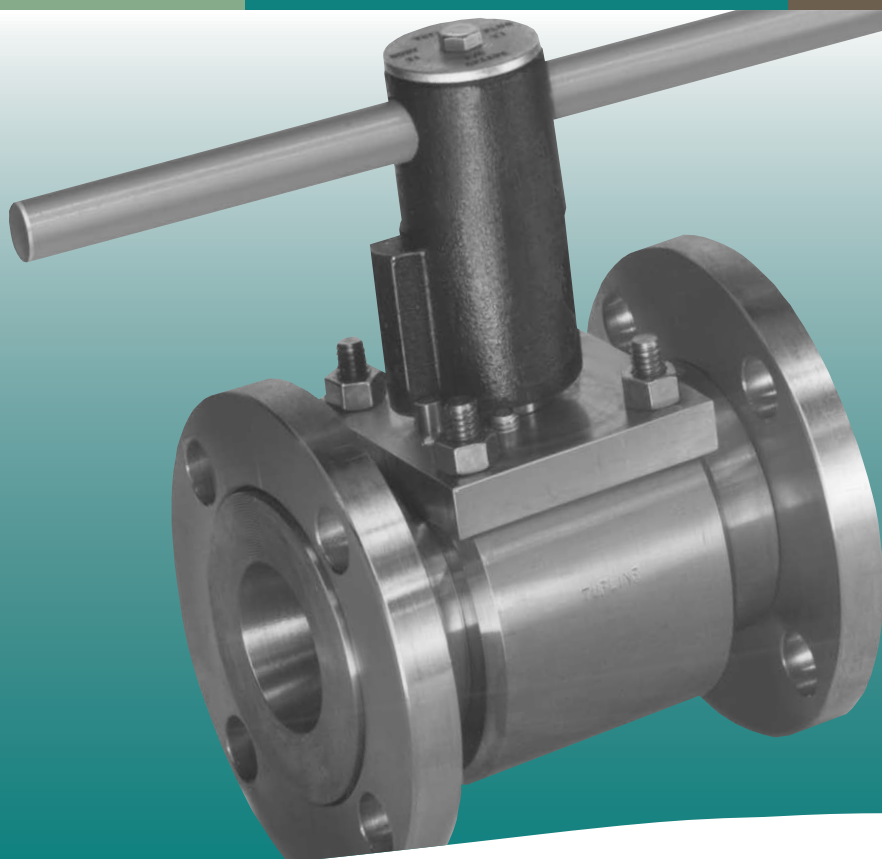


XOMOX®

brands you trust.



Tuflin® Barstock Sleeved Plug Valves

CRANE

ChemPharma Flow Solutions

www.cranepharmasolutions.com

Tufline® Barstock Valves provide low long-term cost-of-ownership with greatly extended service life in some of the most demanding applications.

These valves combine the advantages of high alloy wetted surfaces with the economy of 304SS backup line flanges and cover.

Barstock valves are available in virtually any alloy. In most applications titanium and zirconium provide excellent corrosion resistance.

Titanium applications.

Titanium barstock valves are used in applications with oxidizing media such as: wet chlorine gas, hypochlorites, calcium chloride, sodium hydroxide, and chlorine solutions.

Zirconium applications.

Zirconium barstock valves provide superior performance in reducing environments such as: hydrochloric acid, sulfuric acid, caustics, and acetic acid.

Unmatched performance.

Tufline Barstock Valves provide most of the advantages of the unique Tufline Sleeved Plug Valves. Refer to the comprehensive Sleeved Plug Valve Catalog for details about the many unique features and benefits of this valve.

For superior in-line sealing, the locked-in PTFE sleeve completely surrounds the plug. Tight sealing is assured because of the concentrated compression of the sleeve's large circumferential sealing surface against high-pressure ribs.

Sophisticated yet simple primary and secondary stem sealing elements deter leakage to the atmosphere. It can be operated with a simple, standard quarter-turn actuator.

Because of the lubricity of the PTFE

sleeve, the valve opens and closes easily, even after not being operated for greatly extended periods of time.

These valves are virtually cavity-free. There is no place for media to accumulate and solidify or contaminate.

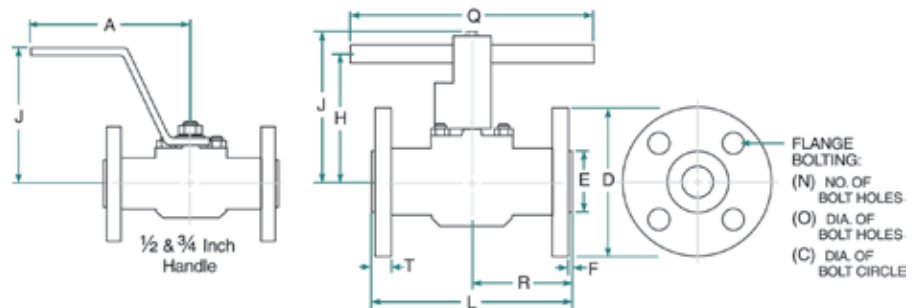
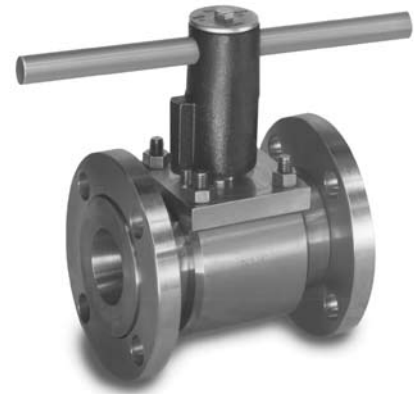
Many options.

Options include a fire-tested top seal, cage control trim, special flange facings, and other modifications for special service. Multiport and full-port models are also available.

Optional materials include Hastelloys, Columbium, Tantalum and other exotic alloys.

Tufline Sleeved Plug Valves

Xomox publishes a comprehensive 20-page catalog which details the unique and patented features of the Tufline Sleeved Plug Valve. To receive your copy, phone 800-749-1735.



Size	L	D	E	F	H	J	Q	R	T	A	N	O	C
1/2	4.25	3.50	1.38	.06	---	4.28	---	2.13	.44	6.38	4	.62	2.38
3/4	4.63	3.88	1.69	.06	---	4.28	---	2.31	.50	6.38	4	.62	2.75
1	5.00	4.25	2.00	.06	4.16	4.75	8.75	2.50	.56	---	4	.62	3.12
1 1/2	6.50	5.00	2.88	.06	4.75	5.47	12.50	3.25	.69	---	4	.62	3.88
2	7.00	6.00	3.63	.06	5.81	6.47	18.00	3.50	.75	---	4	.75	4.75

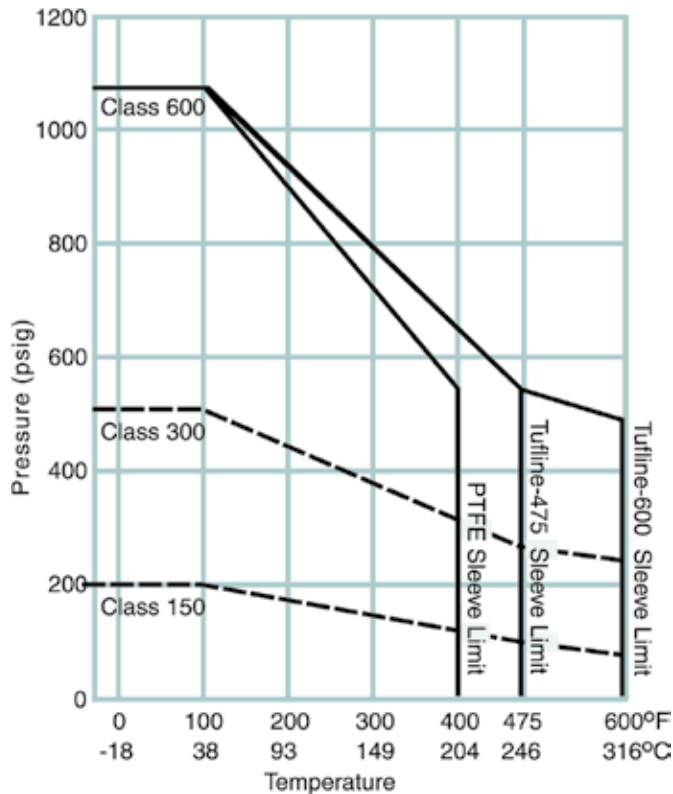
Size	L	D	E	F	H	J	Q	R	T	A	N	O	C
1/2	5.50	3.75	1.38	.06	---	4.28	---	2.75	.56	6.38	4	.62	2.62
3/4	6.00	4.63	1.69	.06	---	4.28	---	3.00	.62	6.38	4	.75	3.25
1	6.50	4.88	2.00	.06	4.16	4.75	8.75	3.25	.69	---	4	.75	3.50
1 1/2	7.50	6.13	2.88	.06	4.75	5.47	12.50	3.75	.81	---	4	.88	4.50
2	8.50	6.50	3.63	.06	5.81	6.47	18.00	4.25	.88	---	8	.75	5.00

Size	L	D	E	F	H	J	Q	R	T	A	N	O	C
1/2	6.50	3.75	1.38	.25	---	4.28	---	3.25	.81	6.38	4	.62	2.62
3/4	7.50	4.63	1.69	.25	---	4.28	---	3.75	.87	6.38	4	.75	3.25
1	8.50	4.88	2.00	.25	4.16	4.75	8.75	4.25	.94	---	4	.75	3.50
1 1/2	9.50	6.13	2.88	.25	4.75	5.47	12.50	4.75	1.13	---	4	.88	4.50
2	11.50	6.50	3.63	.25	5.81	6.47	18.00	5.75	1.25	---	8	.75	5.00

More Information.

Pressure-Temperature Ratings For Titanium

Ratings for zirconium and other materials are available upon request.



Sizes: 1/2 through 2 inch.
Other sizes available upon request.

Figure Numbers:
ANSI Class 150 . . . **060**
ANSI Class 300 . . . **0360**
ANSI Class 600 . . . **0660**

Configurations:
2-Way, 3-Way,
Standard Port, Full Port

Options:
Fire tested top seal, Cage control
trim, Special flange facings,
Additional modifications

Body and plug:
Titanium and zirconium are the
usual materials. Optional materials
include Hastelloys, Tatalum,
Columbium, and other exotic
alloys.

Flanges and cover:
304 stainless steel.

Choose from a variety of sleeve
materials including Tufline's own Tufline-
475 and Tufline-600 sleeve materials
with a number of enhanced benefits.

When ordering specify: size, figure number, options, end connection, body mate-
rial, plug material, sleeve material, operator, service.

Ordering example:

Size Figure No. End Connection Options Body Plug Sleeve Operator Service
1" - 060 - Flanged - Fire tested - Zirconium / Zirconium - Tufline-475 - Matryx® MX200 actuator - Acetic acid

XOMOX®

CRANE ChemPharma Flow Solutions™

XOMOX Headquarters
4444 Cooper Road,
Cincinnati, OH 45242, U.S.A.
Tel.: (513) 745-6000
Fax: (513) 745-6086

XOMOX International GmbH & Co. OHG
Von-Behring-Straße 15,
D-88131 Lindau/Bodensee
Tel.: (49) 8382-702-0
Fax: (49) 8382-702-144

CRANE

ChemPharma Flow Solutions



brands you trust.

CRANE ChemPharma Flow solutions Include: Pipe - Valves - Fitting - Actuators - Pumps

DEPA

PSI
LINE PIPE SYSTEMS

ResistoPure

Saunders
the science inside

ELRO

RESISTOFLEX

revo

XOMOX

CP-XOMOX-BAR STOCK SPV-BU-EN-CI-2/09-PN329733

Crane Co., and its subsidiaries cannot accept responsibility for possible errors in catalogues, brochures, other printed materials, and website information. Crane Co. reserves the right to alter its products without notice, including products already on order provided that such alteration can be made without changes being necessary in specifications already agreed. All their trademarks in this material are property of the Crane Co. or its subsidiaries. The Crane and Crane brands logotype (Xomox®, Saunders®, Resistoflex®, Resistopure™, PSI®, DEPA®, ELRO®, REVO®) are registered trademarks of Crane Co. All rights reserved.